

BIRO®



Model
3334SS-4003



Model
3334SS Standard
End cut safety plate
not mounted



Model
3334SS-4003FH

KNOWN FOR RELIABILITY FOR OVER 84 YEARS

The industry standard 16" power cutters feature all stainless steel unitized welded enclosed base structure with aluminum head structure. A stainless steel head is available at extra cost.

The 3334SS is of proven design, durable, and reliable and is applicable to all small, medium, and large supermarkets, and small and medium meat plants.

Unitized welded enclosed stainless steel base structure is standard. True blade alignment allows excellent blade tracking, giving dependable straight cutting year after year.

A broad range of right hand feed and true left hand feed machines are available. There are numerous configurations and optional equipment to select from to meet your requirements.

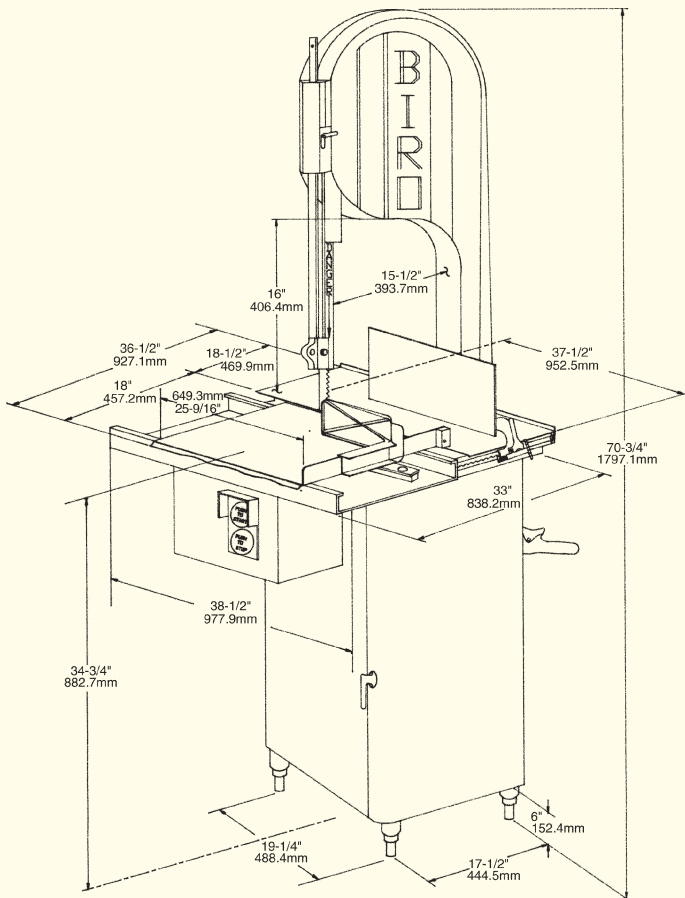
3334SS Series



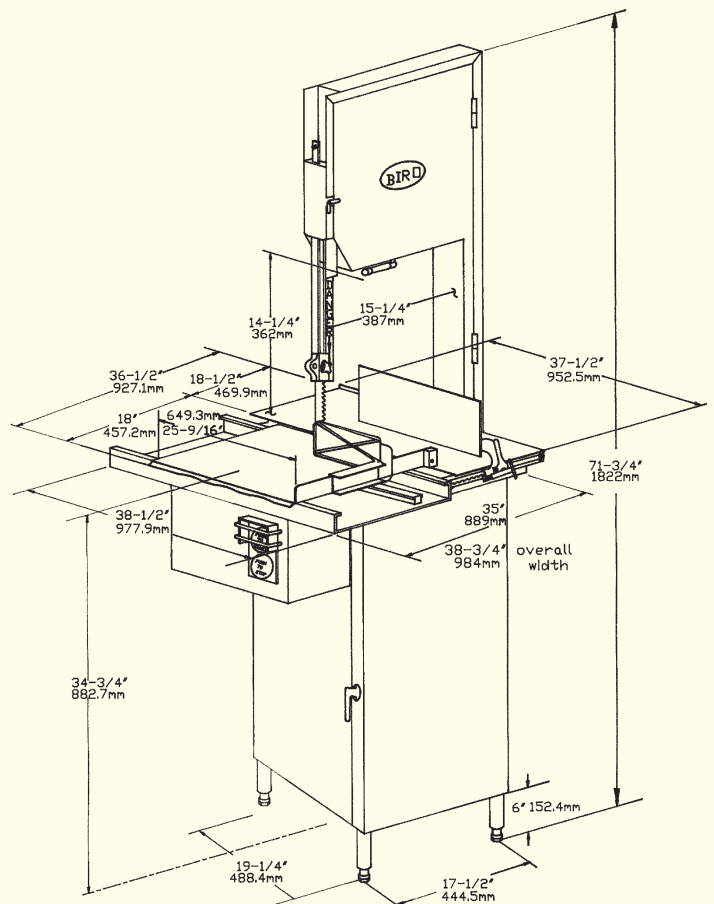
MODELS	A=3334SS STD. (16")	B=3334SS-4003 (16")	C=3334SS-4003FH (16")																																																																																																																																																
CONSTRUCTION	UNITIZED STAINLESS STEEL BASE, TABLES, LEG BOLT LEVELERS, CARRIAGE CHANNEL & SUPPORTS																																																																																																																																																		
	ALUMINUM HEAD AND DOOR REMOVABLE		STAINLESS STEEL DOOR AND FIXED HEAD																																																																																																																																																
MOTORS	A=3334SS STD B=3334SS-4003 C=3334SS-4003FH <table border="1"> <thead> <tr> <th>MODEL</th> <th>STATUS</th> <th>HP</th> <th>KW</th> <th>TYPE</th> <th>VOLTS</th> <th>AMPS</th> <th>CYCLE</th> <th>PH</th> </tr> </thead> <tbody> <tr><td>A</td><td>STD</td><td>2</td><td>1.5</td><td>HH</td><td>115/208-230</td><td>21/11.6-10.5</td><td>60</td><td>1</td></tr> <tr><td>A</td><td>STD</td><td>2</td><td>1.5</td><td>HH</td><td>208-220/440</td><td>5.9-5.6/2.8</td><td>50/60</td><td>3</td></tr> <tr><td>A</td><td>EC</td><td>2</td><td>1.5</td><td>TE</td><td>115/208-230</td><td>21/11.6-10.5</td><td>60</td><td>1</td></tr> <tr><td>A</td><td>EC</td><td>2</td><td>1.5</td><td>TE</td><td>208-220/440</td><td>6.3-5.8/2.9</td><td>50/60</td><td>3</td></tr> <tr><td>A</td><td>EC</td><td>2</td><td>1.5</td><td>TE</td><td>550</td><td>2.2</td><td>60</td><td>3</td></tr> <tr><td>A</td><td>EC</td><td>2</td><td>1.5</td><td>HH</td><td>115/208-230</td><td>28/15-14</td><td>50</td><td>1</td></tr> <tr><td>A</td><td>EC</td><td>3</td><td>2.2</td><td>TE</td><td>208-220/440</td><td>9.1-8.6/4.3</td><td>60</td><td>3</td></tr> <tr><td>B-C</td><td>STD</td><td>3</td><td>2.2</td><td>TE</td><td>208-220/440</td><td>9.1-8.6/4.3</td><td>60</td><td>3</td></tr> <tr><td>A</td><td>EC</td><td>3</td><td>2.2</td><td>TE</td><td>208/380-415</td><td>8.1/5.8-4.3</td><td>50</td><td>3</td></tr> <tr><td>B-C</td><td>STD</td><td>3</td><td>2.2</td><td>TE</td><td>220/380-415</td><td>8.1/5.8-4.3</td><td>50</td><td>3</td></tr> <tr><td>A-B-C</td><td>EC</td><td>3</td><td>2.2</td><td>TE</td><td>208-230</td><td>15.5-14</td><td>60</td><td>1</td></tr> <tr><td>A-B-C</td><td>EC</td><td>3</td><td>2.2</td><td>TE</td><td>220-440</td><td>12.5-11.5</td><td>50</td><td>1</td></tr> <tr><td>A-B-C</td><td>EC</td><td>3</td><td>2.2</td><td>TE</td><td>550</td><td>3.6</td><td>60</td><td>3</td></tr> <tr><td>A-B-C</td><td>EC</td><td>5</td><td>3.7</td><td>TE WP</td><td>208-220/440</td><td>14.4-13.6/6.8</td><td>50/60</td><td>3</td></tr> <tr><td>A-B-C</td><td>EC</td><td>5</td><td>3.7</td><td>TE WP</td><td>380-415</td><td>7.9-7.2</td><td>50</td><td>3</td></tr> </tbody> </table> STD=Standard EC=Extra Cost TEFC=Totally Enclosed Fan Cooled WP=Water Proof HH=High Humidity			MODEL	STATUS	HP	KW	TYPE	VOLTS	AMPS	CYCLE	PH	A	STD	2	1.5	HH	115/208-230	21/11.6-10.5	60	1	A	STD	2	1.5	HH	208-220/440	5.9-5.6/2.8	50/60	3	A	EC	2	1.5	TE	115/208-230	21/11.6-10.5	60	1	A	EC	2	1.5	TE	208-220/440	6.3-5.8/2.9	50/60	3	A	EC	2	1.5	TE	550	2.2	60	3	A	EC	2	1.5	HH	115/208-230	28/15-14	50	1	A	EC	3	2.2	TE	208-220/440	9.1-8.6/4.3	60	3	B-C	STD	3	2.2	TE	208-220/440	9.1-8.6/4.3	60	3	A	EC	3	2.2	TE	208/380-415	8.1/5.8-4.3	50	3	B-C	STD	3	2.2	TE	220/380-415	8.1/5.8-4.3	50	3	A-B-C	EC	3	2.2	TE	208-230	15.5-14	60	1	A-B-C	EC	3	2.2	TE	220-440	12.5-11.5	50	1	A-B-C	EC	3	2.2	TE	550	3.6	60	3	A-B-C	EC	5	3.7	TE WP	208-220/440	14.4-13.6/6.8	50/60	3	A-B-C	EC	5	3.7	TE WP	380-415	7.9-7.2	50	3
MODEL	STATUS	HP	KW	TYPE	VOLTS	AMPS	CYCLE	PH																																																																																																																																											
A	STD	2	1.5	HH	115/208-230	21/11.6-10.5	60	1																																																																																																																																											
A	STD	2	1.5	HH	208-220/440	5.9-5.6/2.8	50/60	3																																																																																																																																											
A	EC	2	1.5	TE	115/208-230	21/11.6-10.5	60	1																																																																																																																																											
A	EC	2	1.5	TE	208-220/440	6.3-5.8/2.9	50/60	3																																																																																																																																											
A	EC	2	1.5	TE	550	2.2	60	3																																																																																																																																											
A	EC	2	1.5	HH	115/208-230	28/15-14	50	1																																																																																																																																											
A	EC	3	2.2	TE	208-220/440	9.1-8.6/4.3	60	3																																																																																																																																											
B-C	STD	3	2.2	TE	208-220/440	9.1-8.6/4.3	60	3																																																																																																																																											
A	EC	3	2.2	TE	208/380-415	8.1/5.8-4.3	50	3																																																																																																																																											
B-C	STD	3	2.2	TE	220/380-415	8.1/5.8-4.3	50	3																																																																																																																																											
A-B-C	EC	3	2.2	TE	208-230	15.5-14	60	1																																																																																																																																											
A-B-C	EC	3	2.2	TE	220-440	12.5-11.5	50	1																																																																																																																																											
A-B-C	EC	3	2.2	TE	550	3.6	60	3																																																																																																																																											
A-B-C	EC	5	3.7	TE WP	208-220/440	14.4-13.6/6.8	50/60	3																																																																																																																																											
A-B-C	EC	5	3.7	TE WP	380-415	7.9-7.2	50	3																																																																																																																																											
STANDARD EQUIPMENT	TWO SAW BLADES, OPERATION AND SAFETY MANUAL, SAFETY WALL POSTER, AND END CUT SAFETY PUSHER PLATE																																																																																																																																																		
SWITCH	GENERAL PURPOSE THERMAL OVERLOAD	WATERTIGHT MAGNETIC, THERMAL OVERLOAD AND UNDER VOLTAGE PROTECTION																																																																																																																																																	
HEAD AND DOOR	ALUMINUM (RATCHET ARM BLADE TENSION)	STAINLESS STEEL FIXED (SCREW HANDLE ASSEMBLY)																																																																																																																																																	
BASE STRUCTURE	STAINLESS STEEL	STAINLESS STEEL	STAINLESS STEEL																																																																																																																																																
BLADE STANDARD	124" (3150 MM) LENGTH X 5/8" (16 MM) WIDE X .022 (.5 MM) THICK, 3 TEETH PER INCH (8.5 MM BETWEEN TEETH, HARD TOOTH (TWO SUPPLIED WITH EACH SAW)																																																																																																																																																		
BLADE SPEED	3200 (975 M) FEET PER MINUTE	4000 (1219 M) FEET PER MINUTE																																																																																																																																																	
BLADE GUIDE	UPPER AND LOWER BLADE BACKUP GUIDE ASSEMBLIES, REMOVABLE, WITH LONG LIFE CARBIDE BACKUP INSERTS																																																																																																																																																		
BLADE TENSION	RATCHET ARM AND CAM AGAINST POUND TESTED SPRING AND TENSION SPRING GAUGE	FACTORY PRESET SPRING SCREW HANDLE ASSEMBLY																																																																																																																																																	
BLADE WHEELS	16" (40.24 CM) CAST IRON CHROME NICKEL PLATING, UPPER ASSEMBLY LIFTS OUT																																																																																																																																																		
BEARINGS	HEAVY DUTY TAPERED ROLLER BEARINGS USED IN UPPER WHEEL AND LOWER BEARING HOUSING																																																																																																																																																		
CATCH PAN	POLY, EXTRA DEEP, ROUNDED CORNERS, PAN SEALED OFF FROM OTHER PARTS OF BASE, ACCESSIBLE THROUGH BASE HINGED DOOR																																																																																																																																																		
CLEANING UNIT	STAINLESS STEEL BODY, LONG-LIFE CARBIDE GUIDES, STEEL SAW CLEANERS, REMOVABLE AS A UNIT FOR EASY CLEANING (ASSEMBLY ALSO ADJUSTABLE AS A UNIT)																																																																																																																																																		
DRIVE SYSTEM	NON SLIP SILENT V-BELT, TENSION ADJUSTABLE	DOUBLE V-BELT, TENSION ADJUSTABLE																																																																																																																																																	
LEGS	STAINLESS STEEL LEG BOLT LEVELERS																																																																																																																																																		
MEAT CARRIAGE	STAINLESS STEEL, NYLON GUIDES, BEARINGS 15-1/2" (394 MM) X 23-1/2" (597 MM)	LARGER STAINLESS STEEL E-Z FLOW 8-BEARINGS CARRIAGE 18" (457-2 MM) WIDE X 25-9/16" (649.3 MM) LONG																																																																																																																																																	
MEAT GAUGE PLATE	STAINLESS STEEL FACED, ADJUSTABLE FROM 1/16" (1.6 MM) TO 6-1/2" (106.1 MM), LOCKS IN POSITION, EASY TO ADJUST, ENTIRE ASSEMBLY REMOVABLE FOR CLEANING																																																																																																																																																		

Stands alone for quality and value since 1921

MODELS	A=3334SS STD. (16")	B=3334SS-4003 (16")	C=3334SS-4003FH (16")																												
MOTOR COMPARTMENT	SEALED OFF FROM MEAT CONTACT AREAS, EASILY ACCESSIBLE THROUGH REMOVABLE PANEL DOOR																														
PLATTER	ALL STAINLESS STEEL, HELD IN PLACE WITH TWO PUSH PULL HOLD DOWN STAINLESS STEEL RODS																														
SAFETY END CUT PUSHER PLATE	STANDARD, REMOVABLE																														
OPTIONS (EC)	<table border="1"> <tr> <td>WATERTIGHT MAGNETIC SWITCH</td> <td>A</td> <td>POWER CORD AND PLUG</td> <td>A,B,C</td> </tr> <tr> <td>LOWER REMOVABLE SAW WHEEL</td> <td>A,B,C</td> <td>DOUBLE FLANGE BLADE WHEELS</td> <td>A,B,C</td> </tr> <tr> <td>STAINLESS STEEL HEAD AND DOOR (MOVABLE)</td> <td>A,B</td> <td>DOUBLE FLANGE BLADE WHEELS (LOWER REMOVABLE)</td> <td>A,B,C</td> </tr> <tr> <td>DOUBLE SAW GUIDE BAR</td> <td>A,B,C</td> <td>NARROW GUIDES (CHECK FACTORY)</td> <td>A,B,C</td> </tr> <tr> <td>LEFT HAND FEED WITH S.S. HEAD</td> <td>A,B</td> <td>STATIONARY FRONT TABLE</td> <td>A,B,C</td> </tr> <tr> <td>LOW PROFILE S.S. HEAD STRUCTURE</td> <td>A,B</td> <td>STAINLESS STEEL WHEELS</td> <td>A,B,C</td> </tr> <tr> <td>WATER JET</td> <td>B,C</td> <td>SPLIT PLATTER, FAST BLADE CHANGE</td> <td>A,B,C</td> </tr> </table>			WATERTIGHT MAGNETIC SWITCH	A	POWER CORD AND PLUG	A,B,C	LOWER REMOVABLE SAW WHEEL	A,B,C	DOUBLE FLANGE BLADE WHEELS	A,B,C	STAINLESS STEEL HEAD AND DOOR (MOVABLE)	A,B	DOUBLE FLANGE BLADE WHEELS (LOWER REMOVABLE)	A,B,C	DOUBLE SAW GUIDE BAR	A,B,C	NARROW GUIDES (CHECK FACTORY)	A,B,C	LEFT HAND FEED WITH S.S. HEAD	A,B	STATIONARY FRONT TABLE	A,B,C	LOW PROFILE S.S. HEAD STRUCTURE	A,B	STAINLESS STEEL WHEELS	A,B,C	WATER JET	B,C	SPLIT PLATTER, FAST BLADE CHANGE	A,B,C
WATERTIGHT MAGNETIC SWITCH	A	POWER CORD AND PLUG	A,B,C																												
LOWER REMOVABLE SAW WHEEL	A,B,C	DOUBLE FLANGE BLADE WHEELS	A,B,C																												
STAINLESS STEEL HEAD AND DOOR (MOVABLE)	A,B	DOUBLE FLANGE BLADE WHEELS (LOWER REMOVABLE)	A,B,C																												
DOUBLE SAW GUIDE BAR	A,B,C	NARROW GUIDES (CHECK FACTORY)	A,B,C																												
LEFT HAND FEED WITH S.S. HEAD	A,B	STATIONARY FRONT TABLE	A,B,C																												
LOW PROFILE S.S. HEAD STRUCTURE	A,B	STAINLESS STEEL WHEELS	A,B,C																												
WATER JET	B,C	SPLIT PLATTER, FAST BLADE CHANGE	A,B,C																												
OPTIONS (NC)	HIGHER FEET PER MINUTE SPEED (CALL FACTORY)																														
CERTIFICATION	U.L., N.S.F., U.S.D.A., C.S.A., C.F.I.A.																														
WEIGHT	UNCRATED: 464 LBS. (210 KG) CRATED: 531 LBS. (240 KG)	UNCRATED: 510 LBS. (231 KG) CRATED: 564 LBS. (256 KG)	UNCRATED: 522 LBS. (237 KG) CRATED: 575 LBS. (261 KG)																												



Model 3334SS-4003



Model 3334SS-4003FH

Service is available from over 245 locations worldwide

THE BIRO MANUFACTURING COMPANY
1114 WEST MAIN STREET
MARBLEHEAD, OH 43440-2099 U.S.A.
Phone: (419) 798-4451
Fax: (419) 798-9106
<http://www.birosaw.com>
sales@birosaw.com

ITEM NO.: LIT 3334 SERIES-334
FORM NO.: Md 3334SS-334-6-06-1-MARK